

# 4MP 36X PTZ Dome Camera

## WDPTZ40IP36X



### Key Features



- High quality image with 4MP, 1/2.8" CMOS sensor
- 2688\*1520@25fps in the main stream
- Ultra 265, H.265, H.264, MJPEG
- Tripple streams
- 36X Optical Zoom
- Smart intrusion prevention, support false alarm filtering, include Cross Line, Intrusion, Enter Area, Leave Area detection, Tampering Detection, Recording Notification, System reboot, Human Tracking etc.
- Light hunter technology ensures ultra-high image quality in low illumination environment
- Smart IR, up to 200M
- AC 24V±25%, DC 48V±25% or PoE+(IEEE 802.3at) power supply
- Alarm 2 in and 1 out, Audio 1 in and 1 out
- SD Card Support 512 GB
- IP67 ingress protection

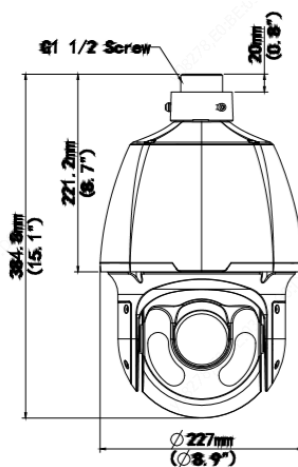
## Specifications

|                         |  |                   |                  |                 |                 |
|-------------------------|--|-------------------|------------------|-----------------|-----------------|
| WDPTZ40IP36X            |  |                   |                  |                 |                 |
| <b>Camera</b>           |  |                   |                  |                 |                 |
| Sensor                  | 1/2.8", 4.0 megapixel, progressive scan, CMOS  |                   |                  |                 |                 |
| Min. Illumination       | Colour: 0.003 Lux (F1.5, AGC ON)<br>0 Lux with IR  |                   |                  |                 |                 |
| Day/Night               | IR-cut filter with auto switch (ICR)   |                   |                  |                 |                 |
| Shutter                 | Auto, 1 ~ 1/100000s  |                   |                  |                 |                 |
| WDR                     | 120dB  |                   |                  |                 |                 |
| S/N                     | >60dB  |                   |                  |                 |                 |
| <b>Lens</b>             |  |                   |                  |                 |                 |
| Lens type               | 5 ~ 190 mm, AF automatic focusing and motorized zoom lens  |                   |                  |                 |                 |
| Digital Zoom            | 16   |                   |                  |                 |                 |
| Optical Zoom            | 36   |                   |                  |                 |                 |
| Iris                    | DC Auto/P Iris   |                   |                  |                 |                 |
| Angle of View (H)       | 53.0° ~ 2.3°   |                   |                  |                 |                 |
| Angle of View (V)       | 31.0° ~ 1.3°   |                   |                  |                 |                 |
| Angle of View (O)       | 64.5° ~ 2.6°   |                   |                  |                 |                 |
| <b>DORI</b>             |  |                   |                  |                 |                 |
| DORI Distance           | Lens (mm)  | Detect (m)        | Observe (m)      | Recognize (m)   | Identify (m)    |
|                         | 5  | 105.8(346.9ft)    | 42.3(138.8ft)    | 21.2(69.4ft)    | 10.6(34.7ft)    |
|                         | 188  | 3172.5(10408.5ft) | 1269.0(4163.4ft) | 634.5(2081.7ft) | 317.3(1040.8ft) |
| <b>Illuminator</b>      |  |                   |                  |                 |                 |
| IR Range                | Up to 200m IR range  |                   |                  |                 |                 |
| Wavelength              | 850nm  |                   |                  |                 |                 |
| IR On/Off Control       | Auto/Manual  |                   |                  |                 |                 |
| <b>Video</b>            |  |                   |                  |                 |                 |
| Video Compression       | Ultra 265, H.265, H.264, MJPEG   |                   |                  |                 |                 |
| Frame Rate              | Main Stream: 4MP(2688*1520),Max 25fps;<br>Sub Stream: 2MP (1920*1080), Max 30fps;<br>Tri Stream : 1MP (1080*720) @ 30fps |                   |                  |                 |                 |
| Video Bit Rate          | 128 Kbps~16 Mbps   |                   |                  |                 |                 |
| H.264 Type              | Baseline Profile/Main Profile/High Profile   |                   |                  |                 |                 |
| H.265 Type              | Main Profile   |                   |                  |                 |                 |
| U-code                  | Support  |                   |                  |                 |                 |
| ROI                     | Up to 8 areas  |                   |                  |                 |                 |
| Video stream            | Triple streams   |                   |                  |                 |                 |
| OSD                     | Up to 8 OSDs   |                   |                  |                 |                 |
| Privacy Mask            | 24 areas, up to 4 areas per scene  |                   |                  |                 |                 |
| <b>Image</b>            |  |                   |                  |                 |                 |
| White Balance           | Auto/Outdoor/Fine Tune/Sodium Lamp/Locked/Auto2  |                   |                  |                 |                 |
| Digital noise reduction | 2D/3D DNR  |                   |                  |                 |                 |

|                        |  |
|------------------------|--|
| Smart IR               | Support  |
| Flip                   | Normal/Flip Vertical/Flip Horizontal/180°/90°Clockwise/90°Anti-clockwise   |
| HLC                    | Support  |
| BLC                    | Support  |
| Defog                  | Digital Defog  |
| <b>Audio</b>           |  |
| Audio Compression      | G.711U,G.711A,G.726  |
| Audio Bitrate          | 64 Kbps  |
| Two-way Audio          | Support  |
| Suppression            | Support  |
| Sampling Rate          | 8 kHz  |
| <b>Network</b>         |  |
| Protocols              | IPv4, IGMP, ICMP, ARP, TCP, UDP, DHCP, PPPoE, RTP, RTSP, RTCP, DNS, DDNS, NTP, FTP, UPnP, HTTP, HTTPS, SMTP, 802.1x, SNMP, QoS, RTMP,SSL/TLS   |
| Compatible Integration | ONVIF (Profile S, Profile G, Profile T), API,SDK   |
| User/Host              | Up to 32 users. 2 user levels: administrator and common user   |
| Security               | Password protection, strong password, HTTPS encryption, Export operation logs, basic and digest authentication for RTSP, digest authentication for HTTP, TLS 1.2, WSSE and digest authentication for ONVIF |
| Client                 | EZStation<br>EZLive<br>EZView  |
| Web Browser            | Plug-in required live view: IE9+, Chrome 41 and below, Firefox 52 and below  |
| <b>Pan &amp; Tilt</b>  |  |
| Pan Range              | 360° (endless)   |
| Pan Speed              | 0.1°/s ~ 240°/s  |
|                        | Preset speed: 350°/s   |
| Tilt Range             | -20° ~ 90° (auto reverse)  |
| Tilt Speed             | 0.1°/s ~ 200°/s  |
|                        | Preset speed: 350°/s   |
| Number of Presets      | 1024   |
| Patrol                 | Preset patrol, route patrol, recorded patrol   |
| Patrol Stay Time       | 15s~1800s  |
| Preset Image Freeze    | Support  |
| Home Position          | Support  |
| <b>Interface</b>       |  |
| Audio I/O              | 1/1  |
| Alarm I/O              | 2/1  |
| Serial Port            | 1 RS485  |
| Built-in Mic           | N/A  |
| Built-in Speaker       | N/A  |
| WIFI                   | N/A  |
| Network                | 1 * RJ45 10M/100M Base-TX Ethernet   |
| Video Output           | 1 BNC  |
| <b>Certification</b>   |  |
| EMC                    | FCC CFR 47 Part 15<br>EN 55032:2015  |

|                     |   |
|---------------------|---|
|                     | EN 55024:2010<br>EN 61000-3-2:2014<br>EN 61000-3-3:2013 |
| Safety              | IEC 62368-1<br>EN 62368-1                               |
| Environment         | CE-ROHS   |
| Protection          | Ingression protection: IP67                             |
| <b>General</b>      |   |
| Power               | AC 24V±25%, DC 24V±25%, PoE+ (IEEE802.3 at)             |
|                     | Power consumption: Max 25W                              |
| Power Interface     | Wires with cold-pressed terminal                        |
| Dimensions (Ø x H)  | Ø227 x 384.8mm (Ø8.9" x 15.1")                          |
| Weight              | 5.28kg(11.64lb)   |
| Working Environment | -40°C~65°C(-40°F ~ 149°F) , ≤95%RH                      |
| Storage Environment | -40°C~70°C(-40°F ~ 158°F) , ≤95%RH                      |
| Surge protection    | 6KV   |
| Vandal Resistant    | Yes   |
| Ingress Protection  | IK-10, IP67   |
| Reset button        | Support   |

## Dimensions



## Accessories

WD45-IN



WD45-A-IN

WD45-A-IN



WD08-A-IN/WD08-B-IN

WD45-IN



WD08-A-IN/ WD-08-B-IN

WD45-A-IN



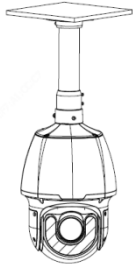

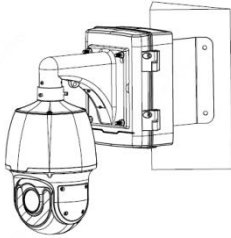
WD12-IN

WD45-IN



WD45-B-IN



| Pendent Mount (Indoor Use)   | Pole Mount  |
|--|---|
| CE45-IN;<br>WD45-A-IN +WDE45-A-IN/WD45-IN  | WD45-IN/WD45-A-IN+WD08-A-IN/WD08-B-IN+WD12-IN                                       |
|   |  |
| Corner Mount   | /   |
| WD45-IN/WD45-A-IN+WD08-A-IN/ WD08-B-IN+WD12-IN                                     | /   |
|  | /   |

For More Information  
[info@mywatchdog.in](mailto:info@mywatchdog.in)

Apollo Infoways Private Limited  
 G-149, Sector -63  
 Noida, U.P. 201301  
 Ph: 0120-4122342 (4 Lines)  
[www.mywatchdog.in](http://www.mywatchdog.in)  
 ©2023 Apollo Infoways Pvt. Ltd.

