

5MP 36X PTZ Dome Camera

WDPTZ50IP36X



Key Features



- High quality image with 5MP, 1/2.8" CMOS sensor
- 2592 x 1944 @25fps in the main stream
- Ultra 265, H.265, H.264, MJPEG
- Four streams
- 36X Optical Zoom
- Smart intrusion prevention, support false alarm filtering, include Cross Line, Intrusion, Enter Area, Leave Area detection
- Lighthunter technology ensures ultra-high image quality in low illumination environment
- Smart IR, up to 300M
- AC 24V±25%, DC 24V±25% or PoE+(IEEE 802.3at) power supply
- Alarm 2 in and 1 out, Audio 1 in and 1 out
- IP67 ingress protection
- SD Card Support upto 256 GB

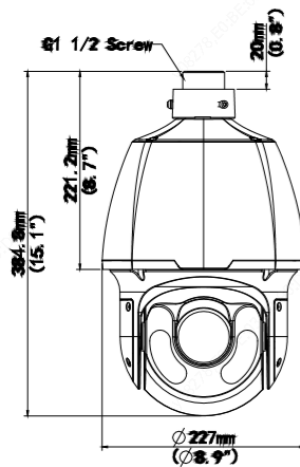
Specifications

WDPTZ50IP36X					
Camera					
Sensor	1/2.8", 5.0 megapixel, progressive scan, CMOS				
Min. Illumination	Colour: 0.002 Lux (F1.5, AGC ON) 0 Lux with IR				
Day/Night	IR-cut filter with auto switch (ICR)				
Shutter	Auto, 1 ~ 1/100000s				
WDR	120dB				
S/N	>56dB				
Lens					
Lens type	4.5 ~ 205 mm, AF automatic focusing and motorized zoom lens				
Digital Zoom	16				
Optical Zoom	36				
Iris	Auto; F1.5 ~ F4.0				
Angle of View (H)	53.0° ~ 2.3°				
Angle of View (V)	31.0° ~ 1.3°				
Angle of View (O)	64.5° ~ 2.6°				
DORI					
DORI Distance	Lens (mm)	Detect (m)	Observe (m)	Recognize (m)	Identify (m)
	4.5	105.8(346.9ft)	42.3(138.8ft)	21.2(69.4ft)	10.6(34.7ft)
	205	3172.5(10408.5ft)	1269.0(4163.4ft)	634.5(2081.7ft)	317.3(1040.8ft)
Illuminator					
IR Range	Up to 300 m IR range				
Wavelength	850nm				
IR On/Off Control	Auto/Manual				
Video					
Video Compression	Ultra 265, H.265, H.264, MJPEG				
Frame Rate	Main Stream: 5MP (2592*1944) ,Max 25fps; 4MP (2688*1520),Max 25fps 2MP (1920*1080), Max 30fps Sub Stream: 3MP (2048*1536), Max 30fps : 2MP (1920*1080), Max 30fps; 1.3mp (960P) Max 30fps Third Stream: 1.3mp (960P) Max 30fps, 1MP (720P) Max 30fps Four Stream : 1MP (720P) Max 30fps				
Video Bit Rate	128 Kbps~16 Mbps				
H.264 Type	Baseline Profile/Main Profile/High Profile				
H.265 Type	Main Profile				
U-code	Support				
ROI	Up to 8 areas				
Video stream	Triple streams				
OSD	Up to 8 OSDs				
Privacy Mask	24 areas, up to 4 areas per scene				
Image					
White Balance	Auto/Outdoor/Fine Tune/Sodium Lamp/Locked/Auto2				
Digital noise reduction	2D/3D DNR				
Smart IR	Support				
Flip	Normal/Flip Vertical/Flip Horizontal/180°/90°Clockwise/90°Anti-clockwise				

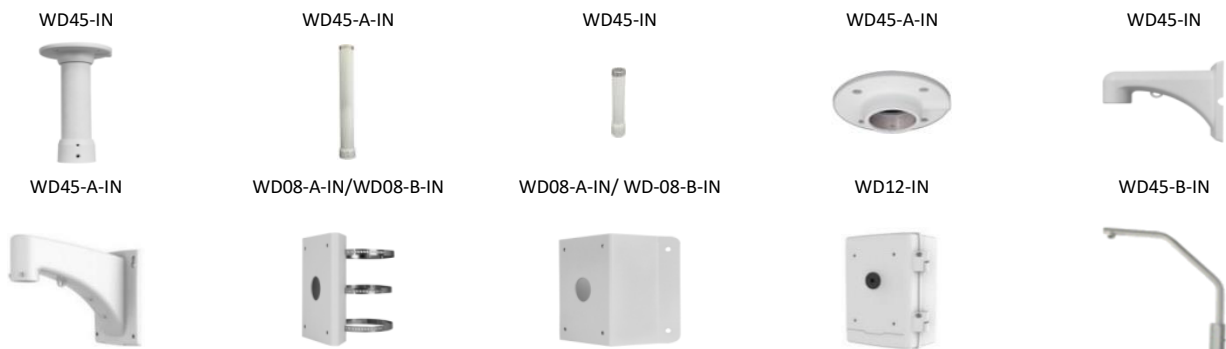
HLC	Support
BLC	Support
Defog	Digital Defog
Audio	
Audio Compression	G.711U,G.711A
Audio Bitrate	64 Kbps
Two-way Audio	Support
Suppression	Support
Sampling Rate	8 kHz
Network	
Protocols	IPv4, IGMP, ICMP, ARP, TCP, UDP, DHCP, PPPoE, RTP, RTSP, RTCP, DNS, DDNS, NTP, FTP, UPnP, HTTP, HTTPS, SMTP, 802.1x, SNMP, QoS, RTMP,SSL/TLS
Compatible Integration	ONVIF (Profile S, Profile G, Profile T), API,SDK
User/Host	Up to 32 users. 2 user levels: administrator and common user
Security	Password protection, strong password, HTTPS encryption, Export operation logs, basic and digest authentication for RTSP, digest authentication for HTTP, TLS 1.2, WSSE and digest authentication for ONVIF
Client	EZStation EZLive EZView
Web Browser	Plug-in required live view: IE9+, Chrome 41 and below, Firefox 52 and below
Pan & Tilt	
Pan Range	360° (endless)
Pan Speed	0.1°/s ~ 200°/s
	Preset speed: 300°/s
Tilt Range	-15° ~ 90° (auto reverse)
Tilt Speed	0.1°/s ~ 200°/s
	Preset speed: 240°/s
Number of Presets	1024
Patrol	Preset patrol, route patrol, recorded patrol
Patrol Stay Time	15s~1800s
Preset Image Freeze	Support
Home Position	Support
Interface	
Audio I/O	1/1
Alarm I/O	2/1
Serial Port	1 RS485
Built-in Mic	N/A
Built-in Speaker	N/A
WIFI	N/A
Network	1 * RJ45 10M/100M Base-TX Ethernet
Video Output	1 BNC
Certification	
EMC	FCC CFR 47 Part 15 EN 55032:2015 EN 55024:2010 EN 61000-3-2:2014

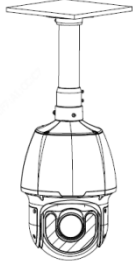

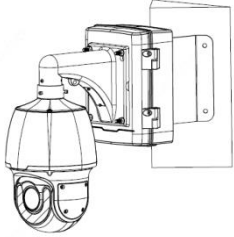
	EN 61000-3-3-2013
Safety	IEC 62368-1 EN 62368-1
Environment	CE-ROHS (2011/65/EU;(EU)2015/863)
Protection	Ingression protection: IP67 (IEC 60529-2013)
General	
Power	AC 24V±25%, DC 24V±25%, PoE+ (IEEE802.3 at)
	Power consumption: Max 25W
Power Interface	Wires with cold-pressed terminal
Dimensions (Ø x H)	Ø227 x 384.8mm (Ø8.9" x 15.1")
Weight	5.28kg(11.64lb)
Working Environment	-40°C~65°C(-40°F ~ 149°F), ≤95%RH
Storage Environment	-40°C~70°C(-40°F ~ 158°F), ≤95%RH
Surge protection	6KV
Vandal Resistant	N/A
Ingress Protection	IP67
Reset button	Support

Dimensions



Accessories



Pendent Mount (Indoor Use)	Pole Mount
CE45-IN; WD45-A-IN +WDE45-A-IN/WD45-IN	WD45-IN/WD45-A-IN+WD08-A-IN/WD08-B-IN+WD12-IN
	
Corner Mount	/
WD45-IN/WD45-A-IN+WD08-A-IN/ WD08-B-IN+WD12-IN	/
	/

For More Information
info@mywatchdog.in

Apollo Infoways Private Limited
G-149, Sector -63
Noida, U.P. 201301
Ph: 0120-4122342 (4 Lines)
www.mywatchdog.in
©2024 Apollo Infoways Pvt. Ltd.

